



Mobile Basket Stand

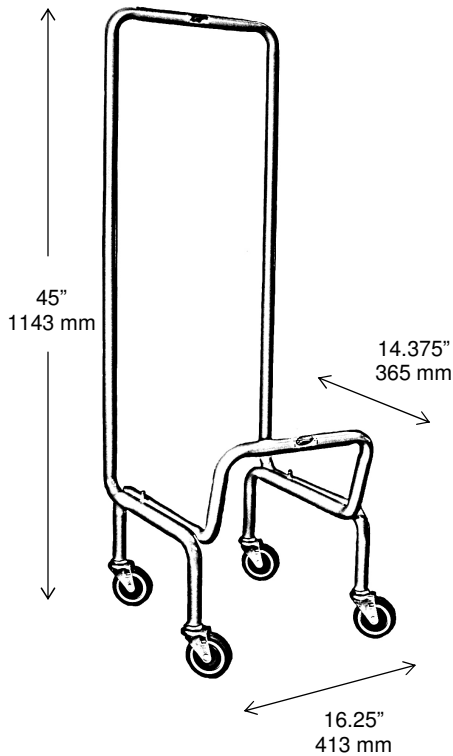
CAL-323W

FINISH:

Grey

FEATURES:

- Tubular Steel Construction
- 4 Swivel Casters
- 3" - 76 mm Wheels
- Holds Plastic or Wire Baskets



CAPACITY: 24 Large Baskets
WEIGHT: 14 lbs - 6.35 kg
LENGTH: 16.25" - 413 mm
WIDTH: 14.375" - 365 mm
HEIGHT: 45" - 1143 mm

JNE RETAIL EQUIPMENT INC.

Phone: 403-243-2705
www.jneretail.com

Fax: 403-243-1433
Email: sales@jneretail.com