



# Movator Wheels

*A wheel designed for moving walkways.*

## Features:

5" Wheel with Automatic Brake  
Complete with Caster, Bolt, Wheel & Disc  
Right and Left Hand Caster Designs

Designed for:

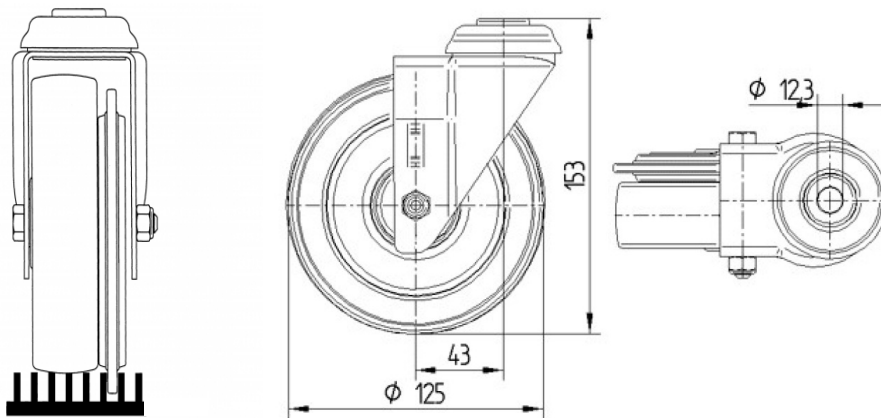
Track width of 2.75 mm  
Groove width of 5.7 mm  
Groove Depth of >10mm

## Load Capacities:

80 kg per Caster on Smooth, Level Surfaces  
40 kg per Caster on Walkways



How they work:



## JNE RETAIL EQUIPMENT INC.

Phone: 403-243-2705  
www.jneretail.com

Fax: 403-243-1433  
Email: sales@jneretail.com